

# Product Detail

## Quick Curve Plate

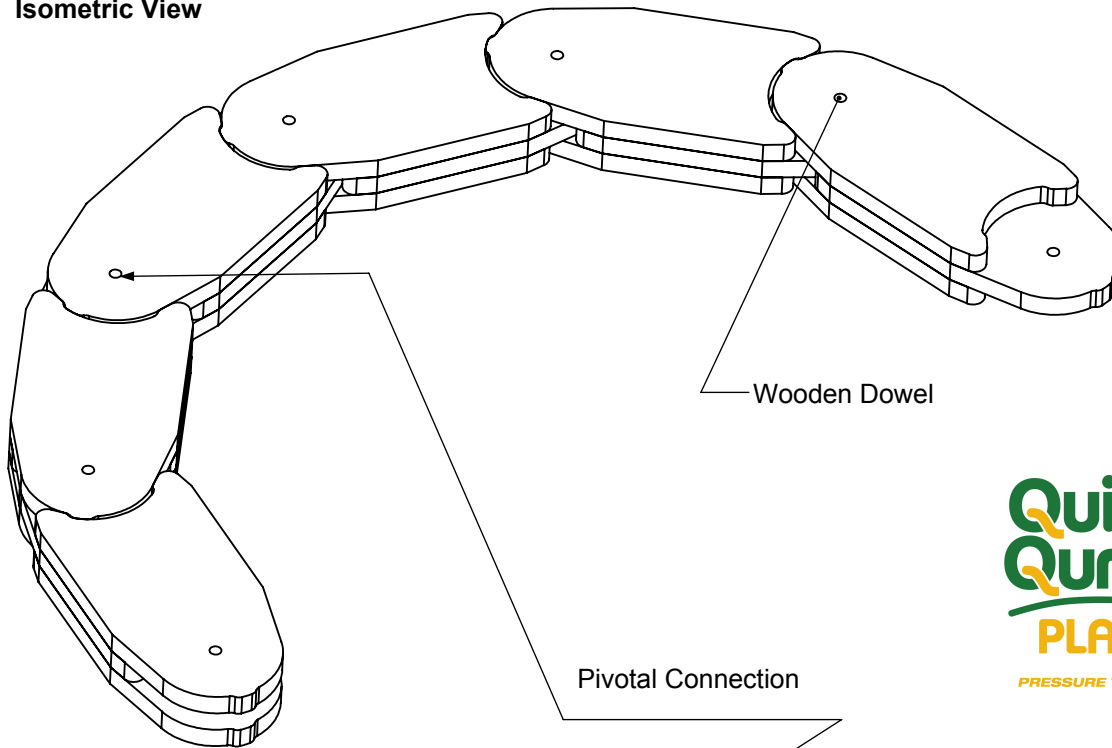
### 2 x 4 Treated

#### Product Information

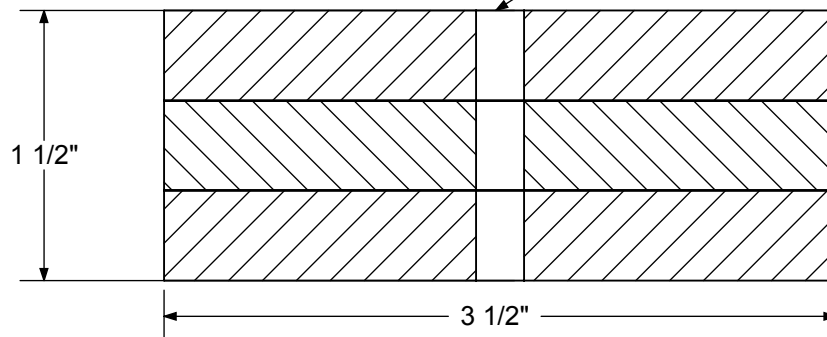
Quick Curve Plate is made from CDX Plywood

Product is Pressure Preservative Treated.

Isometric View



Sectional View



**FLEX-ABILITY  
CONCEPTS**

Distributor:  
Contractor:  
For Product Line PDM  
Product Detail: PDW2

Quantity:  
Approved By:  
Architect:  
Date:

5500 W. Reno, Suite 300  
Oklahoma City, OK 73127  
Tel: 405-996-5343 Fax: 405-996-5353  
E-mail: [info@flexabilityconcepts.com](mailto:info@flexabilityconcepts.com)  
Web: [www.flexabilityconcepts.com](http://www.flexabilityconcepts.com)