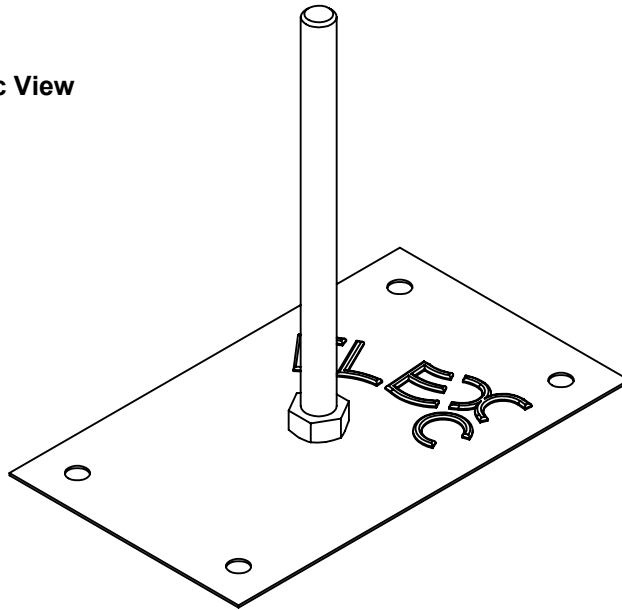


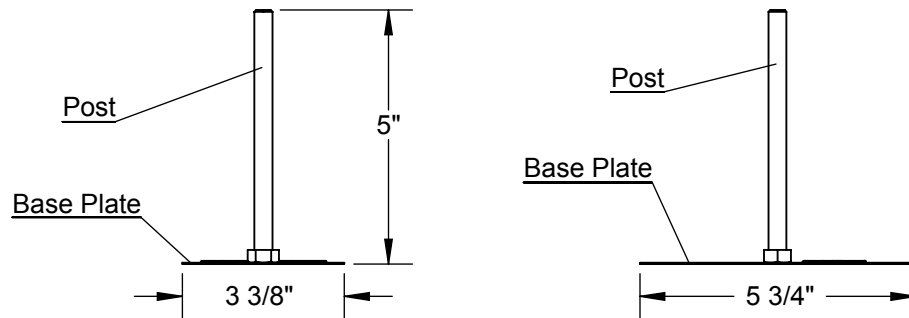
Product Detail

D-Flexion Post

Isometric View



Sectional View



Specifications

Base Plate:

- ASTM A653, galvanized steel.
- Standard protective coating equal or superior to ASTM A653 coating designation G-40 or A-40.
- Dimensions: 3 3/8" x 5 3/4", 16 gauge.

Post:

- ASTM A307, Grade A, zinc plated steel bolt.
- Dimensions: 5" length, 3/8" diameter.

FLEX-ABILITY
CONCEPTS

Distributor:
Contractor:
For Product Line PDM
Product Detail: PDM18

Quantity:
Approved By:
Architect:
Date:

3840 N. Tulsa Ave
Oklahoma City, OK, 73112
Tel: 405-996-5343 Fax: 405-996-5353
E-mail: info@flexabilityconcepts.com
Web: www.flexabilityconcepts.com