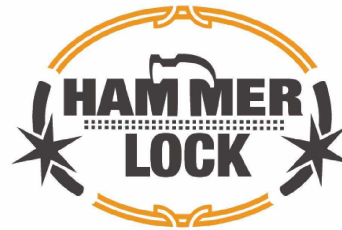
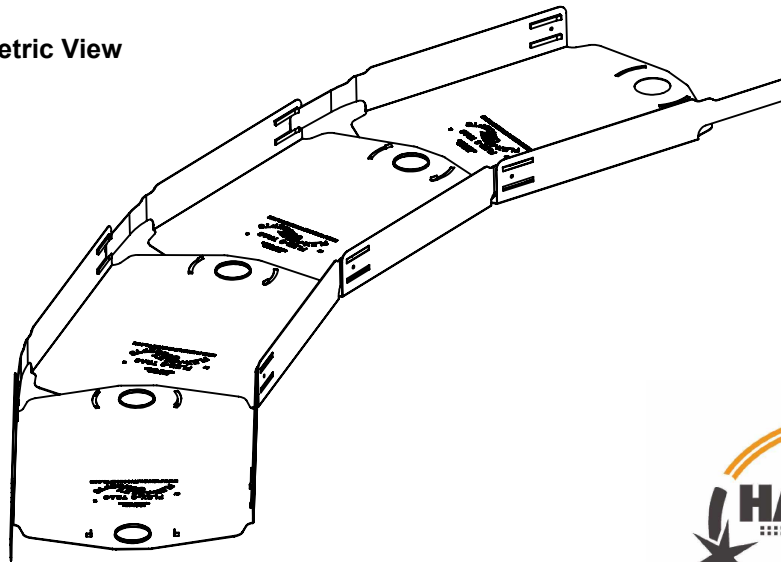


# Product Detail

## Flex-C Trac

### 10" - 18 Ga.

Isometric View



### Specifications

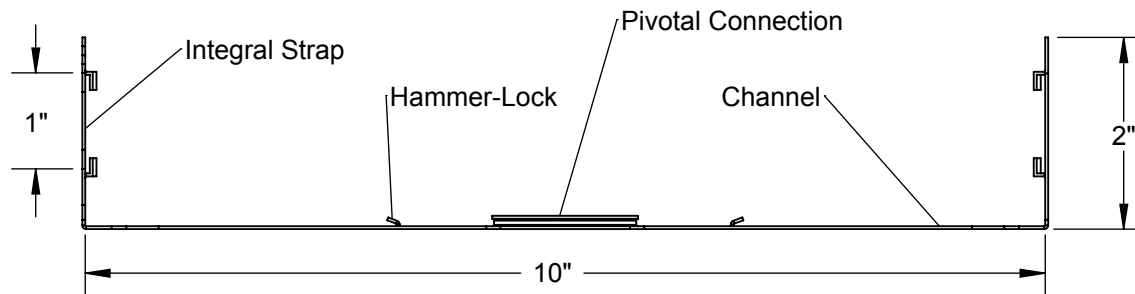
**Channel:**

- ASTM A653, structural grade 50, hot dipped galvanized steel
- Standard protective coating equal or superior to ASTM A653 coating designation G-60.
- 18 gauge
- Length: 10'

**Integral Strap:**

- The specifications for the strap are the same as the channel with 18 Ga. thickness.

Sectional View



**FLEX-ABILITY  
CONCEPTS**

Distributor:  
Contractor:  
For Product Line PDM  
Product Detail: PDM41

Quantity:  
Approved By:  
Architect:  
Date:

3840 N. Tulsa Ave  
Oklahoma City, OK, 73112  
Tel: 405-996-5343 Fax: 405-996-5353  
E-mail: [info@flexabilityconcepts.com](mailto:info@flexabilityconcepts.com)  
Web: [www.flexabilityconcepts.com](http://www.flexabilityconcepts.com)