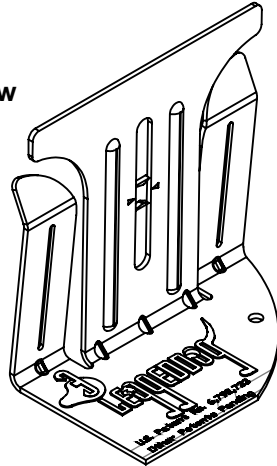


# Product Detail



# Three Legged Dog Deflection Clips

Isometric View

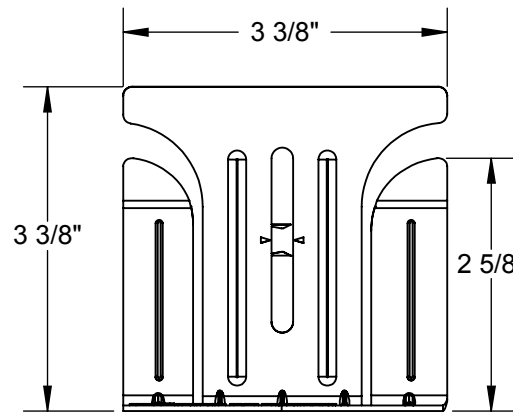
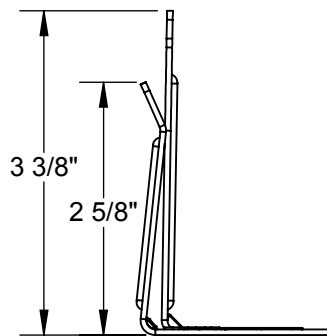
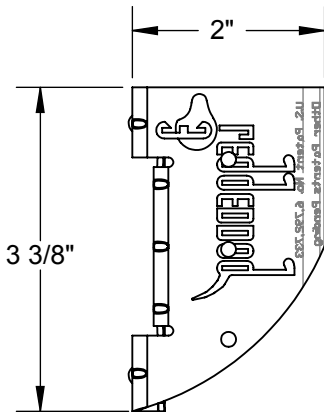


## Specifications

### Channel:

- ASTM A653, structural grade 50, hot dipped galvanized steel
- Standard protective coating equal or superior to ASTM A653 coating designation G-60
- 16 gauge

Alternate Views



FLEX-ABILITY  
CONCEPTS

Distributor:  
Contractor:  
For Product Line PDM  
Product Detail: PDM17

Quantity:  
Approved By:  
Architect:  
Date:

3840 N. Tulsa Ave  
Oklahoma City, OK, 73112  
Tel: 405-996-5343 Fax: 405-996-5353  
E-mail: info@flexabilityconcepts.com  
Web: www.flexabilityconcepts.com