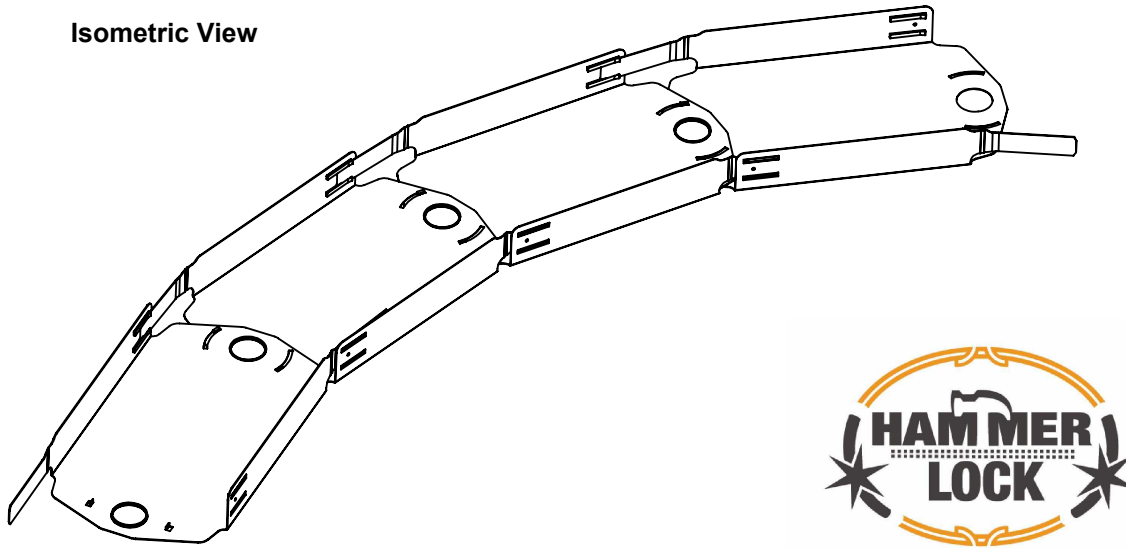


Product Detail

Flex-C Trac

8" - 16 Ga.

Isometric View



Specifications

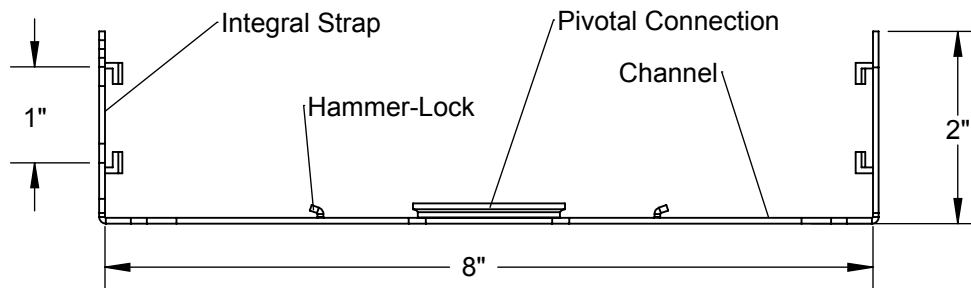
Channel:

- ASTM A653, structural grade 50, hot dipped galvanized steel
- Standard protective coating equal or superior to ASTM A653 coating designation G-60.
- 16 gauge
- Length: 10'

Integral Strap:

- The specifications for the strap are the same as the channel with 16 Ga. thickness.

Sectional View



FLEX-ABILITY
CONCEPTS

Distributor:

Contractor:

Project:

Product Detail: PDM9

Quantity:

Approved By:

Architect:

Date:

3840 N. Tulsa Ave

Oklahoma City, OK, 73112

Tel: 405-996-5343 Fax: 405-996-5353

E-mail: info@flexabilityconcepts.com

Web: www.flexabilityconcepts.com