

Product Detail

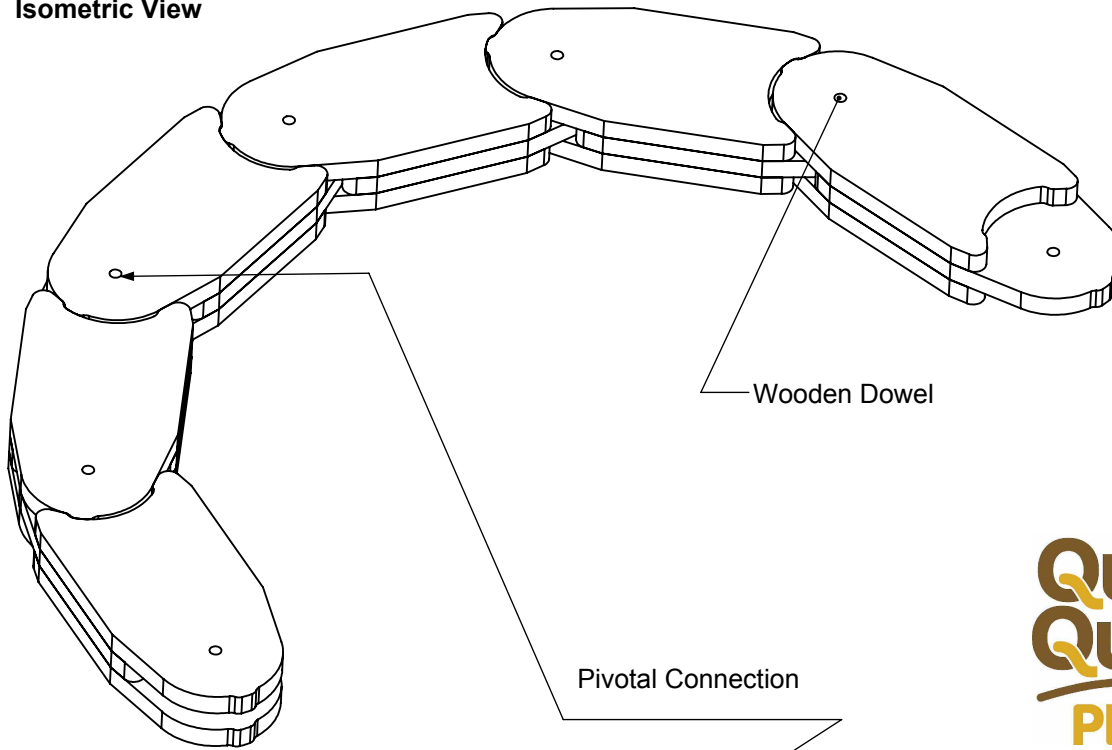
Quick Curve Plate

2 x 4 Untreated

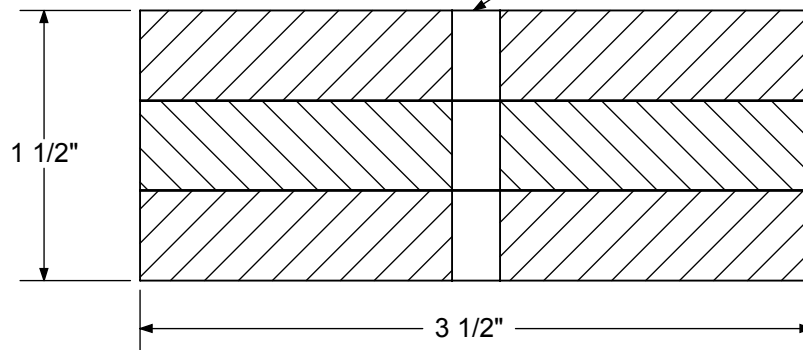
Product Information

Quick Curve Plate is made from CDX Plywood

Isometric View



Sectional View



**FLEX-ABILITY
CONCEPTS**

Distributor:
Contractor:
For Product Line PDM
Product Detail: PDW1

Quantity:
Approved By:
Architect:
Date:

3840 N. Tulsa Ave
Oklahoma City, OK, 73112
Tel: 405-996-5343 Fax: 405-996-5353
E-mail: info@flexabilityconcepts.com
Web: www.flexabilityconcepts.com