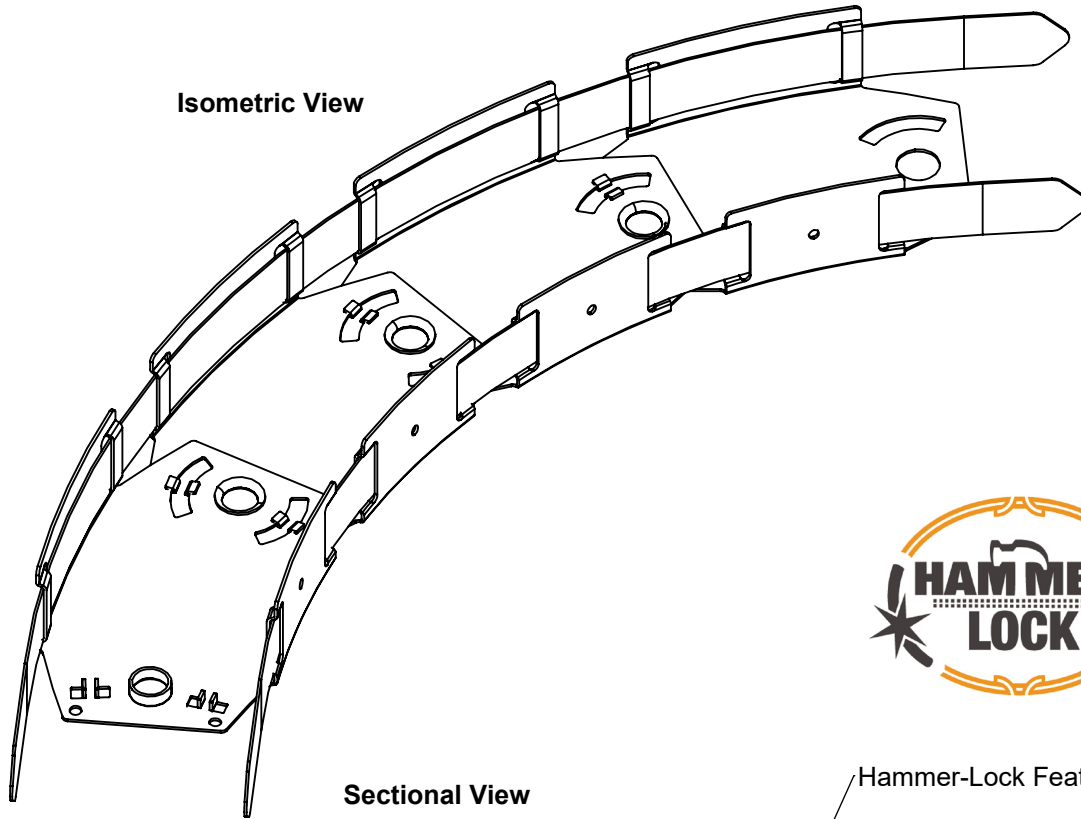


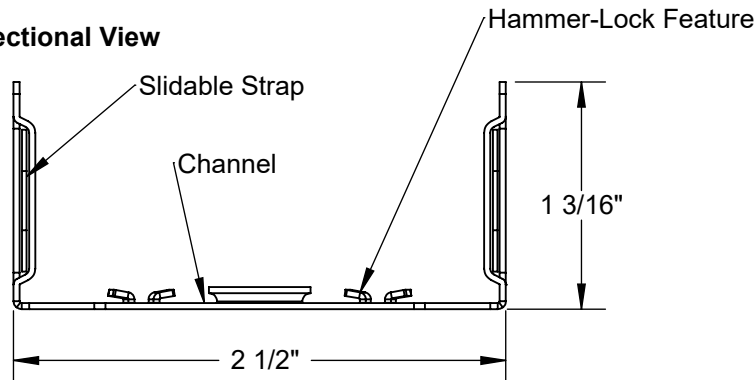
# Product Detail

ICC Compliant ICC-ES evaluation ER-6003 at [www.icc-es.org](http://www.icc-es.org)

Isometric View



Sectional View



## Flex-C Trac

### 2 1/2" - 20 Ga.

#### Specifications

##### Channel:

- ASTM A653, structural grade 33, hot dipped galvanized steel
- Standard protective coating equal or superior to ASTM A653 coating designation G-40 or A-40
- 20 gauge
- Length: 10'

##### Slidable Strap:

- ASTM A653, structural grade 80, galvanized steel
- Standard protective coating equal or superior to ASTM A653 coating designation G-60 or A-60

Dimensions: .750" x .025"

**FLEX-ABILITY  
CONCEPTS**

Distributor:  
Contractor:  
For Product Line PDM  
Product Detail: PDM1

Quantity:  
Approved By:  
Architect:  
Date:

3840 N. Tulsa Ave.  
Oklahoma City, OK, 73112  
Tel: 405-996-5343 Fax: 405-996-5353  
E-mail: [info@flexabilityconcepts.com](mailto:info@flexabilityconcepts.com)  
Web: [www.flexabilityconcepts.com](http://www.flexabilityconcepts.com)